



# DURA PRODUCTS

INTRODUCING OUR NEW

# 6000 SERIES HIGH-FLOW DURA-PUMP™



- / High-Flow with up to 18GPM/68LPM flow rate; a 20% improvement in flow rate over our previous pump
- / Newly redesigned, simplified cartridge for easier serviceability
- / Self-priming diaphragm pump with internal by-pass
- / Motor thermally protected from overheating
- / 30-minute duty cycle
- / Suction port has 2" Male NPT and 1" Female NPT
- / Includes a 2-year Warranty & Maintenance Program

SPECIFICATIONS	
Vertical Suction Lift	Self-priming to 10ft, 3m
Power Cord	12 Volt: 18ft, 5.5m; 110 Volt: 6.5ft, 2m
Motor	1/4 HP, 240W
Amps	12 Volt: 20.0; 110 Volt: 3.0
Suction Port	2" Male and 1" Female NPT thread
Discharge Port	1" Female NPT thread
Wetted Materials	Polypropylene; Santoprene; Viton®, EPDM or Silicone seals; 304 Stainless Steel, PVDF (Kynar)

ORDERING INFORMATION	
12 VOLT DURA-PUMP™	110 VOLT DURA-PUMP™
DP-6018V-12 Viton®	DP-6018V-110 Viton®
DP-6018E-12 EPDM	DP-6018E-110 EPDM
DP-6018S-12 Silicone	DP-6018S-110 Silicone

Always turn pump off and disconnect system from power when not in use.



John M. Ellsworth Co., Inc.

P.O. Box 240072  
8700 West Bradley Road  
Milwaukee, WI 53224

800-333-3331 PHONE  
info@jmesales.com E-MAIL  
www.JMESales.com WEB

**NEW**  
**FOR 2023**

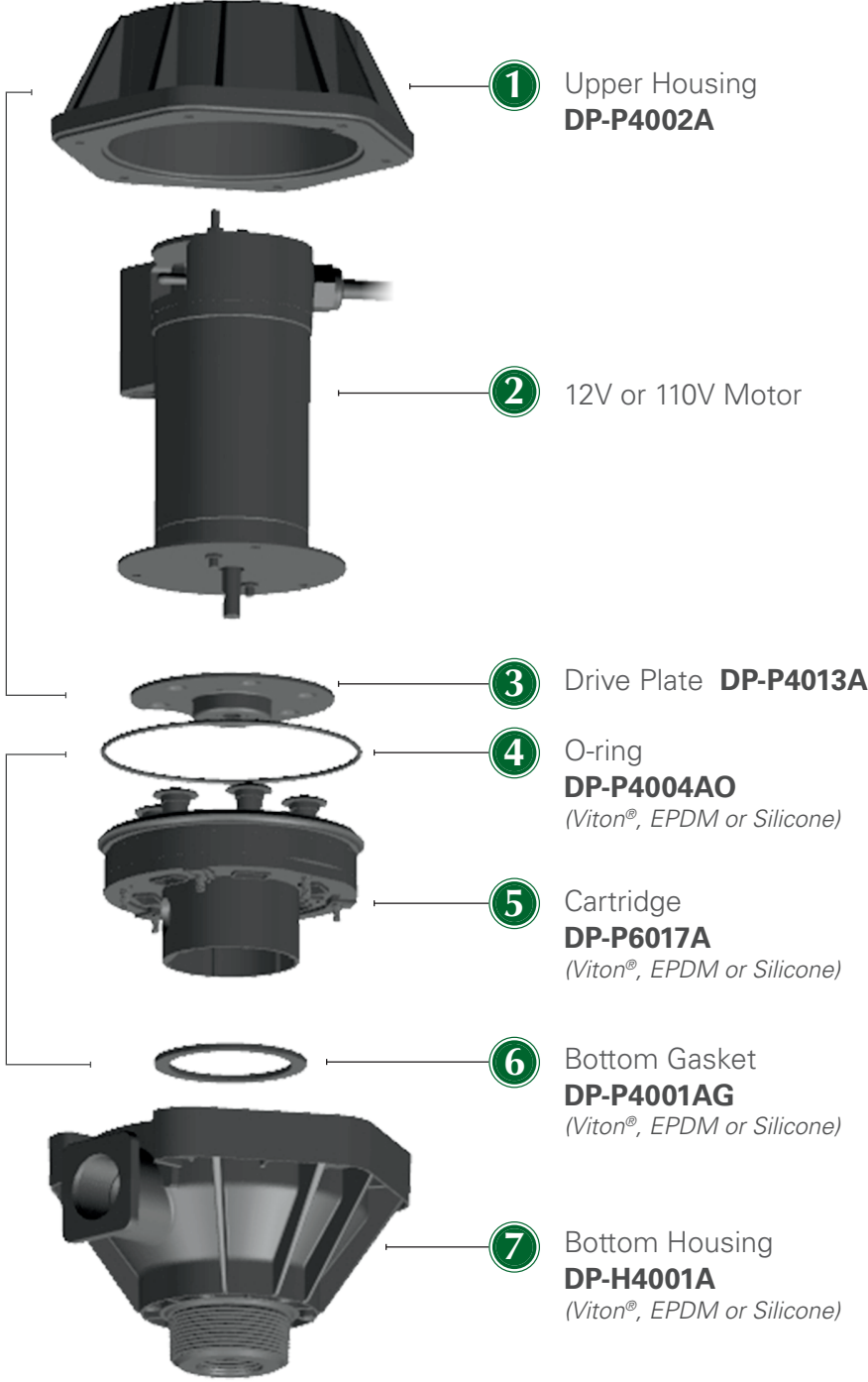
# 6000 SERIES HIGH-FLOW DURA-PUMP™

12V or 110V  
Motor Assembly  
(#1 - #3)

**DP-P4012-M** 12 Volt  
**DP-P4015-M** 110 Volt

Cartridge Kit  
(#4 - #7)

**DP-P6017A**  
(Viton®, EPDM,  
or Silicone)



**JME** **ELLSWORTH**  
A John M. Ellsworth Company

**John M. Ellsworth Co., Inc.**

P.O. Box 240072  
8700 West Bradley Road  
Milwaukee, WI 53224

800-333-3331 **PHONE**  
info@jmesales.com **E-MAIL**  
www.JMEsales.com **WEB**